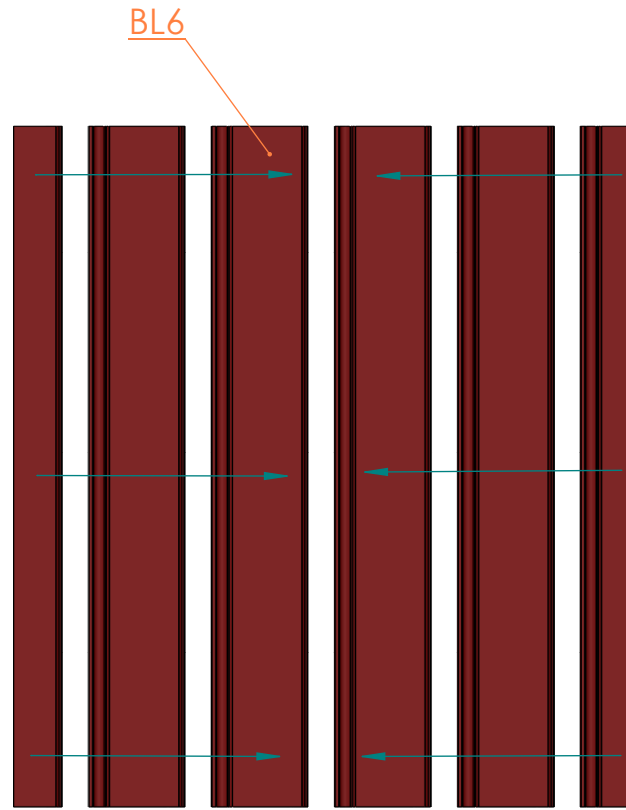
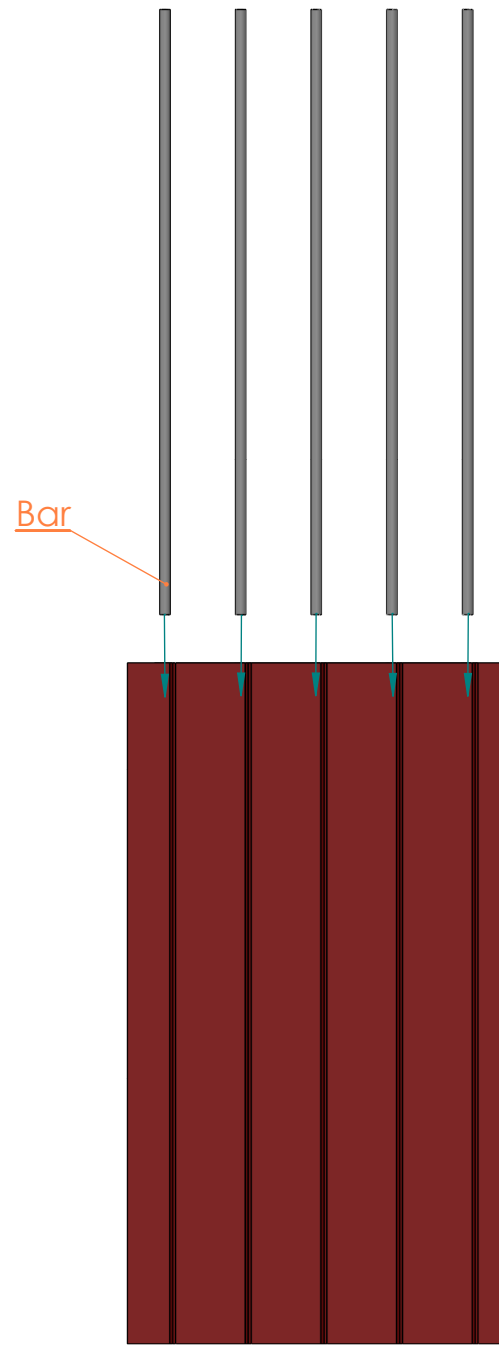


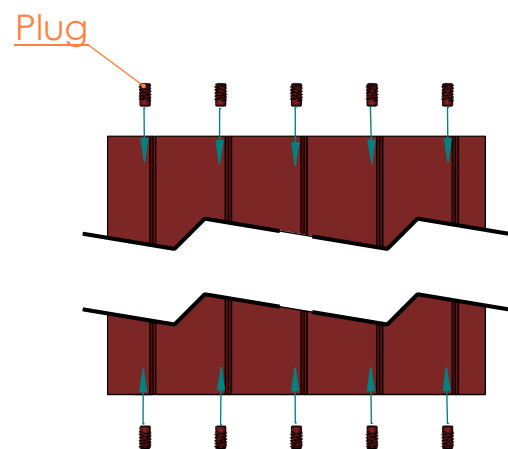
①



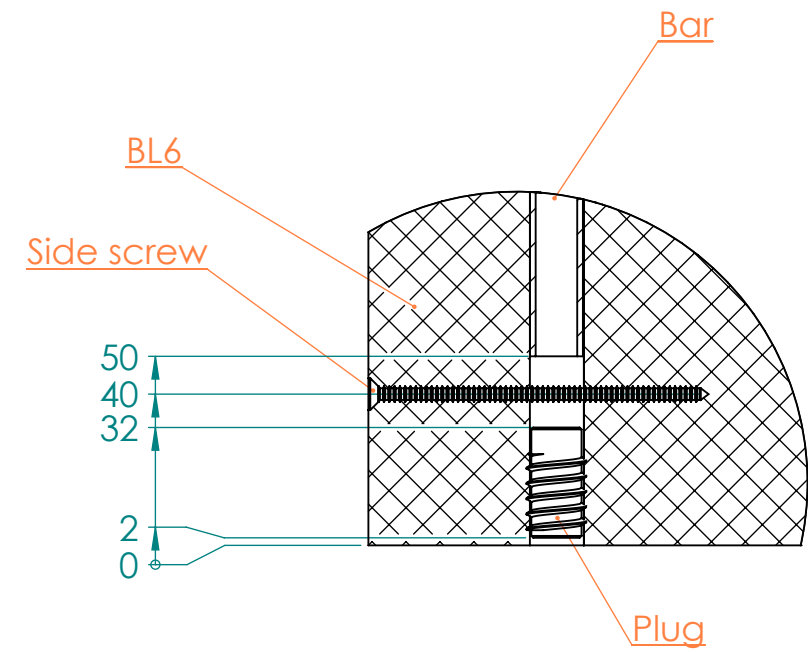
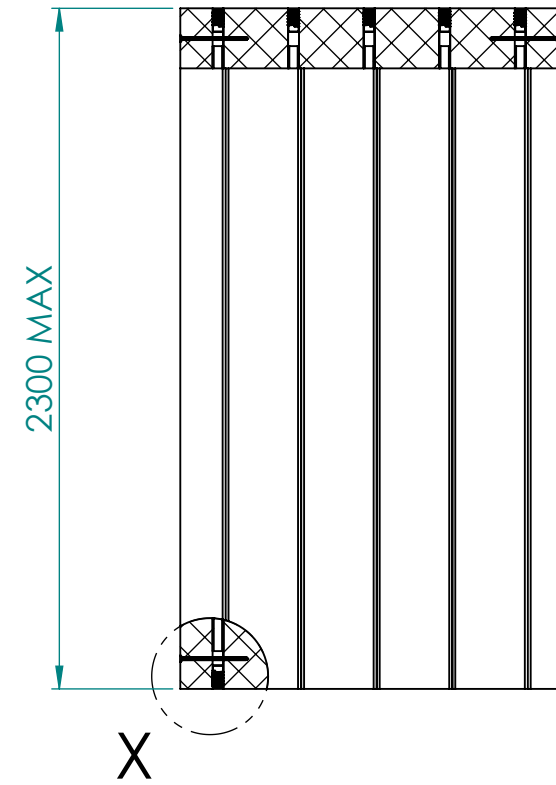
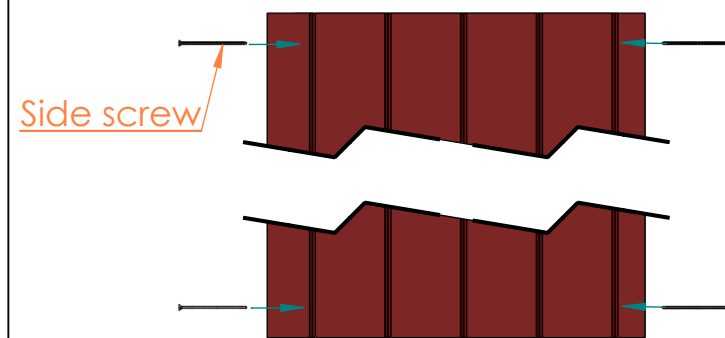
②



③



④



Detail X
Scale 1 : 2

Temperature of planks	per m
0°C	5 mm
12°C	4 mm
24°C	3 mm
36°C	2 mm
48°C	1 mm

BL6	10 m/m ²
Bar	±5m/m ²
	±12,5kg/m ²